

# 55" 3D 4K Medical Display

## FM-A5505DGC



- *OLED technology. High contrast ratio. Perfect blacks.*
- *Reduced blue light emission and eye fatigue.*
- *Immersive 3D viewing is ideally suited for large screens.*



### More Surface Textures More Depth of Field

FM-A5505DGC, the 55" 3D display monitor from FSN, delivers OLED technology for true blacks, better contrast, power efficiency, and lighter weight. The immersive viewing experience of 3D is ideally suited for a large screen of this size.

FM-A5505DGC is compatible with highly specialized visualization equipment used in operating rooms and surgical suites. It is suitable for showing multiple images at sizes big enough to remain visible across the operating room. Picture quality is crystal clear, and the user interface allows for complete control of image color and multi-window layouts.



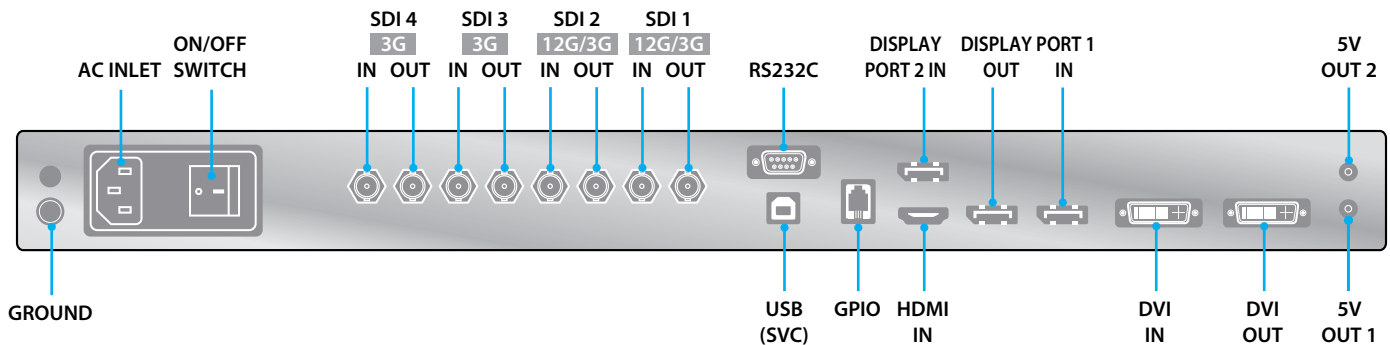
3D eye wear included.



### Complete Control

A detailed 3D menu offers control for the best possible image format. Side By Side, Line By Line, Top Bottom, SDI level B-DS, SDI Dual Input.

FSN's attention to engineering details, such as rounded bezel corners, backlit touch buttons, and easy to use interface menu controls, allow for safe and efficient interaction. This large screen delivers everything that professionals need in a 3D, 4K UHD medical-grade monitor.



[www.fsnmed.com](http://www.fsnmed.com)

Foreseeson Custom Displays, Inc.  
2210 E. Winston Road  
Anaheim, CA 92806 USA  
Tel: 714-300-0540  
Fax: 714-300-0546

Latin America  
Aventura, FL 33180 USA  
Tel: 714-507-3855

Foreseeson Korea  
404B, PangyoInnovalley B  
253 Pangyo-ro  
Bundang-gu Seongnam-si  
Gyeonggi-do, Korea 463-400  
Tel: +82-31-8018-0780  
Fax: +82-31-8018-0786

Foreseeson GmbH  
Industriestrasse 38a  
63150 Heusenstamm, Germany  
Tel: +49 6104 64398 0  
Fax: +49 6104 64398 11

Foreseeson UK Ltd.  
1 Wolsey Road  
East Molesey  
Surrey  
KT8 9EL  
United Kingdom  
Tel: +44 (0) 208 546 1047

Foreseeson (Shanghai)  
Medical Equipment Co., Ltd.  
Room 307, 3F  
No. 56, 461 Hongcao Road  
Caohejing Development District  
Xuhui, Shanghai 200233  
Tel: 86-21-6113-4188

# 55" 3D 4K Medical Display

## FM-A5505DGC



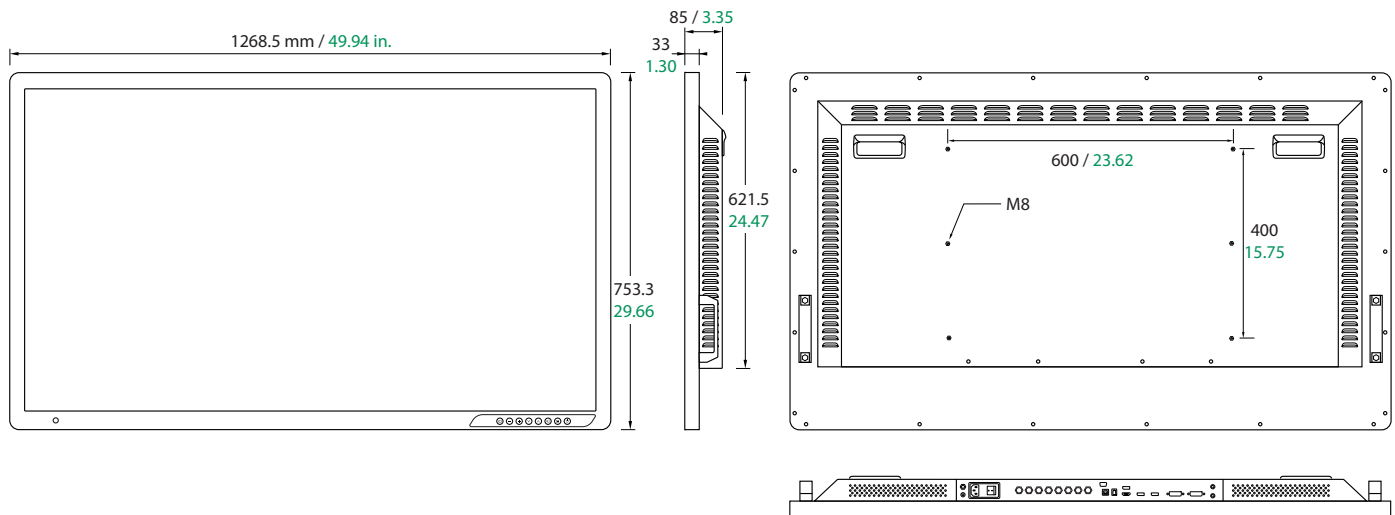
## Specifications

### General Features

Item	Description
Panel	55 inch OLED
Resolution	3840 x 2160 pixels
Aspect Ratio	16 : 9
Active Area	1209.60 (H)mm x 680.40 (V)mm
Response Time (typical)	0.5 ms (gray to gray)
Number of Colors	1.07 Billion
Brightness (typical)	(2D) 408 cd/m <sup>2</sup> peak (3D) 175 cd/m <sup>2</sup> peak
Gamut	BT.709 and BT.2020 compatible
Contrast Ratio (typical)	100,000 : 1
Surface Treatment	Anti-glare
Viewing Angle	(2D) R/L 120°, U/D 120° (3D) U/D 8.6°
Input Signal	1 x HDMI (2.0, HDCP 2.2) 2 x DP (1.2 SST) 4 x SDI (3G), 2 x SDI (12G) 1 x DVI (single link, HDMI 1.4, HDCP 1.4)

FSN Medical Technologies products meet EU RoHS Directive 2011/65/EU+2015/863/EU and Registration, Evaluation, Authorisation and Restriction of Chemicals (REACH) obligations. FSN manages the information flow as required by regulations.

Item	Description
Output Signal	1 x DP 1.2 (SST) 4 x SDI (3G), 2 x SDI (12G) 1 x DVI (single link, HDMI 1.4, HDCP 1.4)
Power Supply	SMPS (AC 100 ~240V)
Power Consumption	250W max
Accessories Included	User manual, AC power cord, DP cable, HDMI cable, DVI-D cable, BNC cable, Remote control and batteries
Unit Dimension	1268.5(W) x 753.3(H) x 85(D) mm 49.94(W) x 29.66(H) x 3.35(D) inch
Package Dimension	1450(W) x 930(H) x 305(D) mm 57.09(W) x 36.61(H) x 12(D) inch
Weight	29.8 kg, 65.7 lbs. (monitor only) 44.7 kg, 98.55 lbs. (shipping package)
Certifications	ANSI/AAMI ES60601-1(UL60601-1), CAN/CSA C22.2 No. 60601-1, FCC Class B, EN60601-1, EN60601-1-2, CE, MDR(EU) 2017/745 Class I Medical Device



### Multiple Windows

There is plenty of room on the FM-A5505DGC monitor for multi-window requirements. Choose from PIP, PBP, Triple, or Quad layouts that are preset and ready-to-go.

Specifications are subject to change with or without notice. Doc. # FSN2032 Rev. 4/22

[www.fsnmed.com](http://www.fsnmed.com)

#### Foreseeson Custom Displays, Inc.

2210 E. Winston Road  
Anaheim, CA 92806 USA  
Tel: 714-300-0540  
Fax: 714-300-0546

Latin America  
Aventura, FL 33180 USA  
Tel: 714-507-3855

#### Foreseeson Korea

404B, PangyoInnovalley B  
253 Pangyo-ro  
Bundang-gu Seongnam-si  
Gyeonggi-do, Korea 463-400  
Tel: +82-31-8018-0780  
Fax: +82-31-8018-0786

#### Foreseeson GmbH

Industriestrasse 38a  
63150 Heusenstamm, Germany  
Tel: +49 6104 64398 0  
Fax: +49 6104 64398 11

#### Foreseeson UK Ltd.

1 Wolsey Road  
East Molesey  
Surrey  
KT8 9EL  
United Kingdom  
Tel: +44 (0) 208 546 1047

#### Foreseeson (Shanghai)

Medical Equipment Co., Ltd.  
Room 307, 3F  
No. 56, 461 Hongcao Road  
Caohejing Development District  
Xuhui, Shanghai 200233  
Tel: 86-21-6113-4188